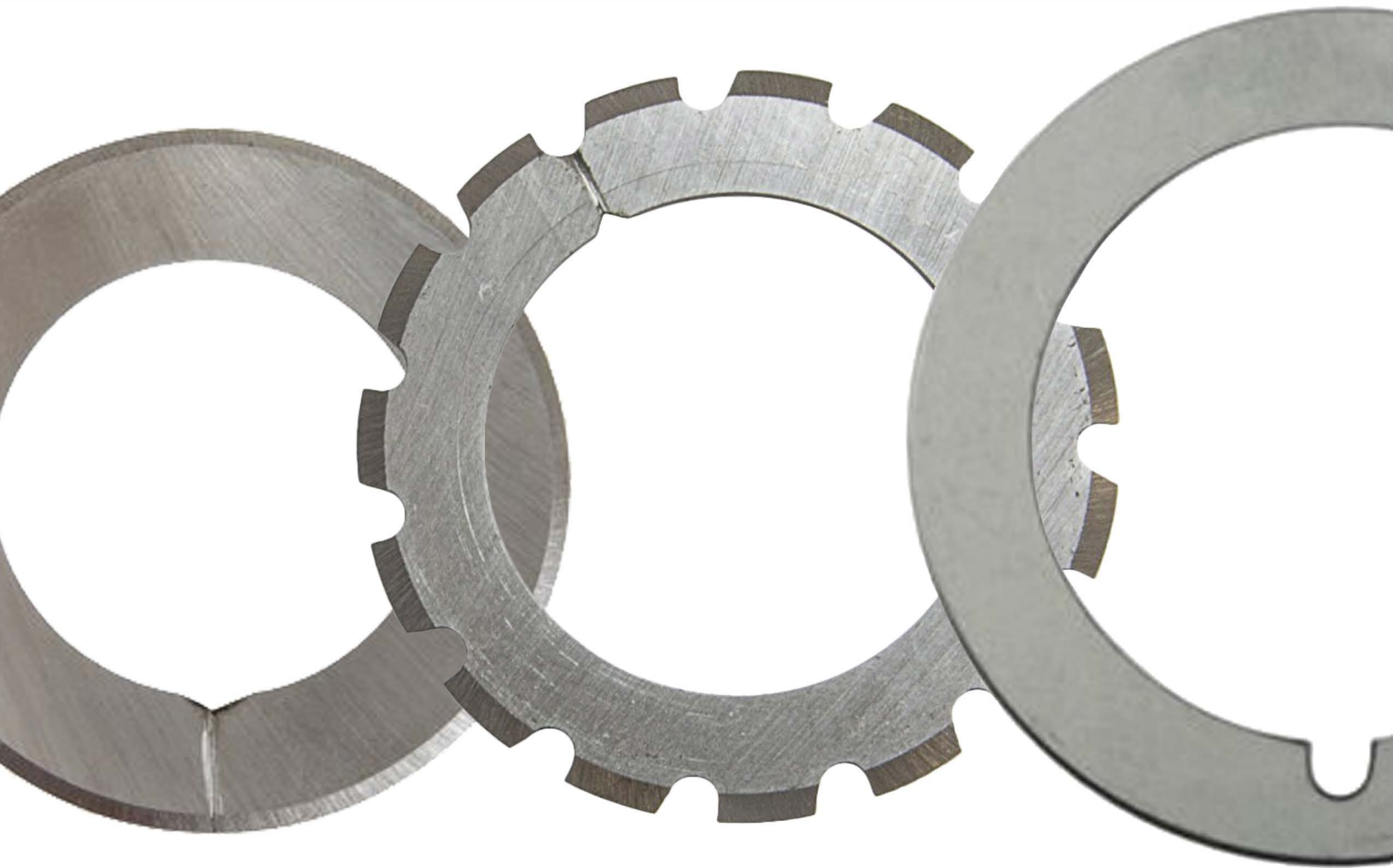


# update LTD

## STAHL

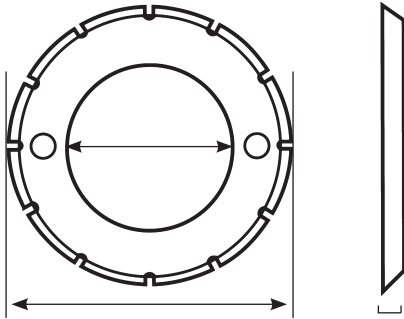
Perforators, Slitters and Scores



Please visit our website to explore our full list of products.  
[www.update ltd.com](http://www.update ltd.com) | 1-800-229-0009

## Tips on Choosing Correct Blades

---



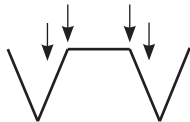
**ID:** Inner Diameter  
**OD:** Outer Diameter  
**#Teeth:** Number of teeth on perfs  
**TPI:** Number of teeth per inch  
**Thick:** Thickness of perf

This guide is organized first by shaft size (smallest to largest), then by number of teeth (fewest to most - except micro perfs).

All images in this guide are actual size for comparison.

---

### “V” Shaped Tooth



- Maximizes the distance between each tooth in perfs with a low number of teeth such as 6, 8, 12 or 18
- Increases the strength of the teeth in perfs with a high number of teeth such as 60, 72, 80 or more
- Lower number of teeth (12-18) are better for backbone on perfect bound books - signatures won't tear

If shaft is adjustable, a slightly wider perf cut can be made.

---

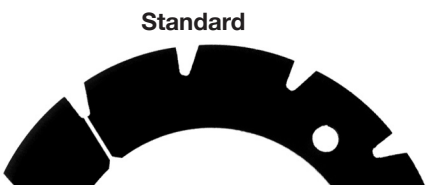
### Crimping Perf

- Holds sheets together temporarily
  - Used for processing zig-zag folded sheets on a gather - stitcher and envelopes on a perfect binder
- 

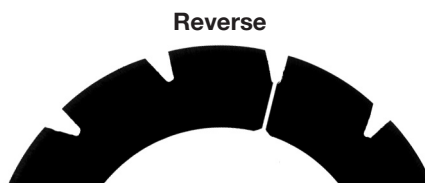
### Knockout (punch) Perf

- Use when printed product needs perforation in the spine for adhesive binding or air relief
- 

### Reverse Tooth



Standard



Reverse

- Assumes blades are placed on upper slitter shaft
  - Holds folds together on 16 page books
- 

### Round Tooth



- Good for perfs on multiple sheets at a time
-



ID	OD	#Teeth	Thick
26mm	39mm	10	0.5mm
<b>Stahl#</b>	200-750-06-00		
<b>Update#</b>	SP200		



ID	OD	#Teeth	Thick
26mm	39mm		0.5mm
<b>Stahl#</b>	200-750-05-00		
<b>Update#</b>	SP300		



ID	OD	#Teeth	Thick
26mm		40	0.5mm
<b>Stahl#</b>	217-636-01-00		
<b>Update#</b>	SP240		



ID	OD	#Teeth	Thick
26mm		58	0.5mm
<b>Stahl#</b>			
<b>Update#</b>	SP829		



ID	OD	#Teeth	Thick
	37.5mm	60	0.5mm
<b>Stahl#</b>	217-636-02-00		
<b>Update#</b>	SP400		



ID	OD	#Teeth	Thick
	44.5mm	8	0.5mm
<b>Stahl#</b>	200-771-02-00		
<b>Update#</b>	SP209		



ID	OD	#Teeth	Thick
30mm	48mm	9	0.5mm
<b>Stahl#</b>	200-761-01-00		
<b>Update#</b>	SP092 - ROUND		



ID	OD	#Teeth	Thick
30mm		10	0.5mm
<b>Stahl#</b>	200-750-02-00		
<b>Update#</b>	SP900		



ID	OD	#Teeth	Thick
30mm	48mm	10	0.5mm
<b>Stahl#</b>	200-766-01-00		
<b>Update#</b>	SP190 - Round		



ID	OD	#Teeth	Thick
30mm	50.5mm	10	1.2mm
<b>Stahl#</b>	213-038-01-00		
<b>Update#</b>	KP318 - Knockout		



ID	OD	#Teeth	Thick
30mm	48mm	12	0.5mm
<b>Stahl#</b>	205-485-01-00		
<b>Update#</b>	SP729		



ID	OD	#Teeth	Thick
	48mm	12	
<b>Stahl#</b>	200-759-05-00		
<b>Update#</b>	SP438		



ID	OD	#Teeth	Thick
	45.5mm	15	0.5mm
<b>Stahl#</b>	200-750-03-00		
<b>Update#</b>	SP930		



ID	OD	#Teeth	Thick
30mm	48mm	15	0.5mm
<b>Stahl#</b>	205-908-02-00		
<b>Update#</b>	SP920		



ID	OD	#Teeth	Thick
30mm	48mm	15	0.5mm
<b>Stahl#</b>	200-766-03-00		
<b>Update#</b>	SP920spec - Round		



ID	OD	#Teeth	Thick
30mm	48mm	15	0.5mm
<b>Stahl#</b>			
<b>Update#</b>	SP828		



ID	OD	#Teeth	Thick
30mm	48mm	18	0.5mm
<b>Stahl#</b>	200-759-03-00		
<b>Update#</b>	SP955		



ID	OD	#Teeth	Thick
30mm	47mm	20	2mm
<b>Stahl#</b>	213-201-01-00		
<b>Update#</b>	SP388 - Crimp		



ID	OD	#Teeth	Thick
30mm	48mm	24	
<b>Stahl#</b>	205-990-01-00		
<b>Update#</b>	SP987		



ID	OD	#Teeth	Thick
30mm	48mm	30	0.5mm
<b>Stahl#</b>	200-758-02-00		
<b>Update#</b>	SP925		



ID	OD	#Teeth	Thick
30mm		40	
<b>Stahl#</b>	200-758-03-00		
<b>Update#</b>	SP910		



ID	OD	#Teeth	Thick
30mm		40	
<b>Stahl#</b>	200-758-04-00		
<b>Update#</b>	SP921		



ID	OD	#Teeth	Thick
30mm	45.5mm	50	
<b>Stahl#</b>			
<b>Update#</b>	SP568		



ID	OD	#Teeth	Thick
30mm	45.5mm	60	0.5mm
<b>Stahl#</b>	200-758-05-00		
<b>Update#</b>	SP990		



ID	OD	#Teeth	Thick
30mm	48mm	60	0.5mm
<b>Stahl#</b>	200-758-06-00		
<b>Update#</b>	SP911		



ID	OD	#Teeth	Thick
30mm	45.5mm	72V	0.5mm
<b>Stahl#</b>			
<b>Update#</b>	SP128		



ID	OD	#Teeth	Thick
30mm	48mm		0.5mm
<b>Stahl#</b>	200-759-06-00		
<b>Update#</b>	SP222		



ID	OD	#Teeth	Thick
40mm	62mm	5	0.5mm
<b>Stahl#</b>	200-769-02-00		
<b>Update#</b>	SP908 - Round		



ID	OD	#Teeth	Thick
40mm		6	
<b>Stahl#</b>	200-756-07-00		
<b>Update#</b>	MS290		



ID	OD	#Teeth	Thick
40mm	62mm	6V	0.5mm
<b>Stahl#</b>			
<b>Update#</b>	SP720		



ID	OD	#Teeth	Thick
40mm	61.5mm	8	0.5mm
<b>Stahl#</b>			
<b>Update#</b>	SP538spec		



ID	OD	#Teeth	Thick
40mm	61.5mm	8	0.5mm
<b>Stahl#</b>			
<b>Update#</b>	SP228		



ID	OD	#Teeth	Thick
40mm	62mm	8	0.5mm
<b>Stahl#</b>	200-756-08-00		
<b>Update#</b>	MS291		



ID	OD	#Teeth	Thick
40mm	62mm	10	0.5mm
<b>Stahl#</b>			
<b>Update#</b>	SP502		



ID	OD	#Teeth	Thick
40mm	62mm	10	0.5mm
<b>Stahl#</b>			
<b>Update#</b>	KP378 - Knockout		



ID	OD	#Teeth	Thick
40mm	62mm	12	0.5mm
<b>Stahl#</b>	200-749-01-00		
<b>Update#</b>	MS292		



ID	OD	#Teeth	Thick
40mm	62mm		0.5mm
<b>Stahl#</b>			
<b>Update#</b>	MS292-s		



ID	OD	#Teeth	Thick
40mm	62mm	12	0.5mm
<b>Stahl#</b>	205-978-01-00		
<b>Update#</b>	SP808 - Reverse		



ID	OD	#Teeth	Thick
40mm	62mm	12	1.2mm
<b>Stahl#</b>			
<b>Update#</b>	KP718 - Knockout		



ID	OD	#Teeth	Thick
40mm	64mm	12	0.5mm
<b>Stahl#</b>			
<b>Update#</b>	MS296		



ID	OD	#Teeth	Thick
40mm	64mm	12	0.9mm
<b>Stahl#</b>	213-027-01-00		
<b>Update#</b>	KP418 - Knockout		



ID	OD	#Teeth	Thick
40mm	64mm	12	1.2mm
<b>Stahl#</b>			
<b>Update#</b>	KP997 - Knockout		



ID	OD	#Teeth	Thick
40mm	64mm	12	0.5mm
<b>Stahl#</b>	213-028-01-00		
<b>Update#</b>	KP518 - Knockout		



ID	OD	#Teeth	Thick
40mm	62mm	12	0.5mm
<b>Stahl#</b>			
<b>Update#</b>	SP650		



ID	OD	#Teeth	Thick
	62mm	15	0.5mm
<b>Stahl#</b>	200-756-09-00		
<b>Update#</b>	SP289		



ID	OD	#Teeth	Thick
40mm	62mm	15	0.5mm
<b>Stahl#</b>	200-769-01-00		
<b>Update#</b>	SP802 - Round		



ID	OD	#Teeth	Thick
	62mm	16	0.5mm
<b>Stahl#</b>			
<b>Update#</b>	SP600		



ID	OD	#Teeth	Thick
40mm	62mm	16	0.5mm
<b>Stahl#</b>			
<b>Update#</b>	SP188 - Reverse		



ID	OD	#Teeth	Thick
40mm	60mm	18	0.5mm
<b>Stahl#</b>			
<b>Update#</b>	SP488		



ID	OD	#Teeth	Thick
40mm	62mm	18	0.5mm
<b>Stahl#</b>	200-749-02-00		
<b>Update#</b>	MS293		



ID	OD	#Teeth	Thick
40mm	62mm	18	0.5mm
<b>Stahl#</b>	200-765-01-00		
<b>Update#</b>	SP640s		



ID	OD	#Teeth	Thick
40mm	62mm	18	1mm
<b>Stahl#</b>	205-978-02-00		
<b>Update#</b>	SP590 - Reverse		



ID	OD	#Teeth	Thick
40mm	64mm	18	0.5mm
<b>Stahl#</b>			
<b>Update#</b>	MS297		



ID	OD	#Teeth	Thick
40mm	62mm	18V	0.5mm
<b>Stahl#</b>	226-350-02-00		
<b>Update#</b>	SP928		



ID	OD	#Teeth	Thick
40mm	62mm	18V	0.5mm
<b>Stahl#</b>			
<b>Update#</b>	SP288		



ID	OD	#Teeth	Thick
40mm	62mm	24	2mm
<b>Stahl#</b>	273-918-01-00		
<b>Update#</b>	CP924 - Crimp		



ID	OD	#Teeth	Thick
40mm	60mm	28	0.5mm
<b>Stahl#</b>			
<b>Update#</b>	SP588		



ID	OD	#Teeth	Thick
40mm	61.5mm	28	0.5mm
<b>Stahl#</b>	210-621-01-00		
<b>Update#</b>	MN820		



ID	OD	#Teeth	Thick
40mm	62mm	30	0.5mm
<b>Stahl#</b>			
<b>Update#</b>	MS294		



ID	OD	#Teeth	Thick
40mm	64mm	30	0.5mm
<b>Stahl#</b>			
<b>Update#</b>	SP060		



ID	OD	#Teeth	Thick
40mm	62mm	30V	0.5mm
<b>Stahl#</b>			
<b>Update#</b>			



ID	OD	#Teeth	Thick
40mm	62mm	32V	0.5mm
<b>Stahl#</b>			
<b>Update#</b>			



ID	OD	#Teeth	Thick
40mm	60mm	36	0.5mm
<b>Stahl#</b>			
<b>Update#</b>			



ID	OD	#Teeth	Thick
40mm	61.5mm	8	0.5mm
<b>Stahl#</b>			
<b>Update#</b>			



ID	OD	#Teeth	Thick
40mm	61.5mm	10	0.5mm
<b>Stahl#</b>			
<b>Update#</b>			



ID	OD	#Teeth	Thick
40mm	62mm	18	0.5mm
<b>Stahl#</b>			
<b>Update#</b>			



ID	OD	#Teeth	Thick
40mm	61mm	28	0.5mm
<b>Stahl#</b>			
<b>Update#</b>			



ID	OD	#Teeth	Thick
	60mm	48	0.5mm
<b>Stahl#</b>			
<b>Update#</b>			



ID	OD	#Teeth	Thick
40mm	100mm	9	0.8mm
<b>Stahl#</b>			
<b>Update#</b>			



ID	OD	#Teeth	Thick
40mm	100mm	13	0.5mm
<b>Stahl#</b>			
<b>Update#</b>			



ID	OD	#Teeth	Thick
40mm	100mm	13	0.5mm
<b>Stahl#</b>			
<b>Update#</b>			



ID	OD	#Teeth	Thick
40mm	100mm	18	0.5mm
<b>Stahl#</b>			
<b>Update#</b>			



ID	OD	#Teeth	Thick
40mm	100mm	24	0.5mm
<b>Stahl#</b>			
<b>Update#</b>			



ID	OD	#Teeth	Thick
40mm	100mm	26	0.5mm
<b>Stahl#</b>			
<b>Update#</b>			



ID	OD	#Teeth	Thick
40mm	100mm	26	1.0mm
<b>Stahl#</b>			
<b>Update#</b>			



ID	OD	#Teeth	Thick
40mm	60mm	124	0.5mm
<b>Stahl#</b>			
<b>Update#</b>	SP608		



ID	OD	#Teeth	Thick
55mm	79mm	9	0.5mm
<b>Stahl#</b>	200-748-04-00		
<b>Update#</b>	SP637		



ID	OD	#Teeth	Thick
55mm	81mm	16	0.9mm
<b>Stahl#</b>	213-031-01-00		
<b>Update#</b>	KP618 - Knockout		



ID	OD	#Teeth	Thick
55mm	78.5mm	18	0.5mm
<b>Stahl#</b>	205-981-02-00		
<b>Update#</b>	SP906		



ID	OD	#Teeth	Thick
55mm	79mm	18V	0.5mm
<b>Stahl#</b>	226-349-01-00		
<b>Update#</b>	SP218		



ID	OD	#Teeth	Thick
55mm	78.5mm	30	0.5mm
<b>Stahl#</b>	205-981-01-00		
<b>Update#</b>	SP909		



ID	OD	#Teeth	Thick
55mm	78.5mm	40	0.5mm
<b>Stahl#</b>	200-748-03-00		
<b>Update#</b>	SP902		



ID	OD	#Teeth	Thick
55mm	78.5mm	70	0.5mm
<b>Stahl#</b>	200-755-01-00		
<b>Update#</b>	SP905		





ID	OD	#Teeth	Thick
26mm	37.5mm		0.8mm
<b>Stahl#</b>	200-742-11-00		
<b>Update#</b>	SS607 - Score		



ID	OD	#Teeth	Thick
26mm	40mm		0.5mm
<b>Stahl#</b>	200-747-11-00		
<b>Update#</b>	SS202 - Slitter		



ID	OD	#Teeth	Thick
26mm	40mm		1.0mm
<b>Stahl#</b>	226-341-01-00		
<b>Update#</b>	SS205 - Slitter		



ID	OD	#Teeth	Thick
26mm	42mm		0.5mm
<b>Stahl#</b>			
<b>Update#</b>	SS440 - Slitter		



ID	OD	#Teeth	Thick
30mm	45mm		0.8mm
<b>Stahl#</b>	200-742-04-00		
<b>Update#</b>	SS402 - Score		



ID	OD	#Teeth	Thick
30mm	47.5mm		0.8mm
<b>Stahl#</b>			
<b>Update#</b>	SS201 - Score		



ID	OD	#Teeth	Thick
30mm	47.5mm		1.5mm
<b>Stahl#</b>			
<b>Update#</b>	SS373 - Score		



ID	OD	#Teeth	Thick
30mm	48mm	100	0.5mm
<b>Stahl#</b>	200-747-01-00		
<b>Update#</b>	SS203 - Slitter		



ID	OD	#Teeth	Thick
30mm	48mm		1.0mm
<b>Stahl#</b>	226-341-02-00		
<b>Update#</b>	SS800 - Slitter		



ID	OD	#Teeth	Thick
30mm	48mm		2.0mm
<b>Stahl#</b>	205-970-05-00		
<b>Update#</b>	SS008 - Slitter		



ID	OD	#Teeth	Thick
30mm	49mm		2.0mm
<b>Stahl#</b>			
<b>Update#</b>	SS383 - Slitter		



ID	OD	#Teeth	Thick
	50mm		0.5mm
<b>Stahl#</b>			
<b>Update#</b>	SS207 - Slitter		



ID	OD	#Teeth	Thick
40mm	59mm		0.8mm
<b>Stahl#</b>	200-742-12-00		
<b>Update#</b>	SS080 - Score		



ID	OD	#Teeth	Thick
40mm	59mm		mm
<b>Stahl#</b>	200-742-12-00		
<b>Update#</b>	SS083 - Score		



ID	OD	#Teeth	Thick
40mm	59.5mm		0.8mm
<b>Stahl#</b>	200-742-09-00		
<b>Update#</b>	SS233 - Score		



ID	OD	#Teeth	Thick
40mm	60mm		0.8mm
<b>Stahl#</b>	200-742-06-00		
<b>Update#</b>	SS283 - Score		



ID	OD	#Teeth	Thick
40mm	60mm		1.0mm
<b>Stahl#</b>			
<b>Update#</b>	SS555 - Slitter		



ID	OD	#Teeth	Thick
40mm	60mm	16	1.5mm
<b>Stahl#</b>	200-753-01-00		
<b>Update#</b>	SS973 - Score		



ID	OD	#Teeth	Thick
40mm	61mm	18	0.8mm
<b>Stahl#</b>	200-742-05-00		
<b>Update#</b>	MN100 - Score		



ID	OD	#Teeth	Thick
40mm	62mm		0.5mm
<b>Stahl#</b>	200-747-03-00		
<b>Update#</b>	MN400 - Slitter		



ID	OD	#Teeth	Thick
40mm	62mm		0.5mm
<b>Stahl#</b>			
<b>Update#</b>	MN453 - Slitter		



ID	OD	#Teeth	Thick
40mm	61.5mm		1.0mm
<b>Stahl#</b>	226-341-03-00		
<b>Update#</b>	MN353 - Slitter		



ID	OD	#Teeth	Thick
40mm	61.5mm		1.5mm
<b>Stahl#</b>			
<b>Update#</b>	SS563 - Score		



ID	OD	#Teeth	Thick
40mm	62mm		2.0mm
<b>Stahl#</b>	205-970-01-00		
<b>Update#</b>	SS005 - Slitter		



ID	OD	#Teeth	Thick
40mm	64mm		0.5mm
<b>Stahl#</b>	200-474-05-00		
<b>Update#</b>	MN911 - Slitter		



ID	OD	#Teeth	Thick
40mm	64mm		1.0mm
<b>Stahl#</b>			
<b>Update#</b>	SS009 - Slitter		



ID	OD	#Teeth	Thick
40mm	64mm		2.0mm
<b>Stahl#</b>	205-970-02-00		
<b>Update#</b>	SS006 - Slitter		



ID	OD	#Teeth	Thick
55mm	77mm		0.5mm
<b>Stahl#</b>	200-742-08-00		
<b>Update#</b>	SS107 - Score		



ID	OD	#Teeth	Thick
55mm	78.5mm		0.5mm
<b>Stahl#</b>	200-747-07-00		
<b>Update#</b>	SS602 - Slitter		



ID	OD	#Teeth	Thick
55mm	79mm		2.0mm
<b>Stahl#</b>	205-972-01-00		
<b>Update#</b>	SS007 - Slitter		