

DATA SHEET

SV 1100/1

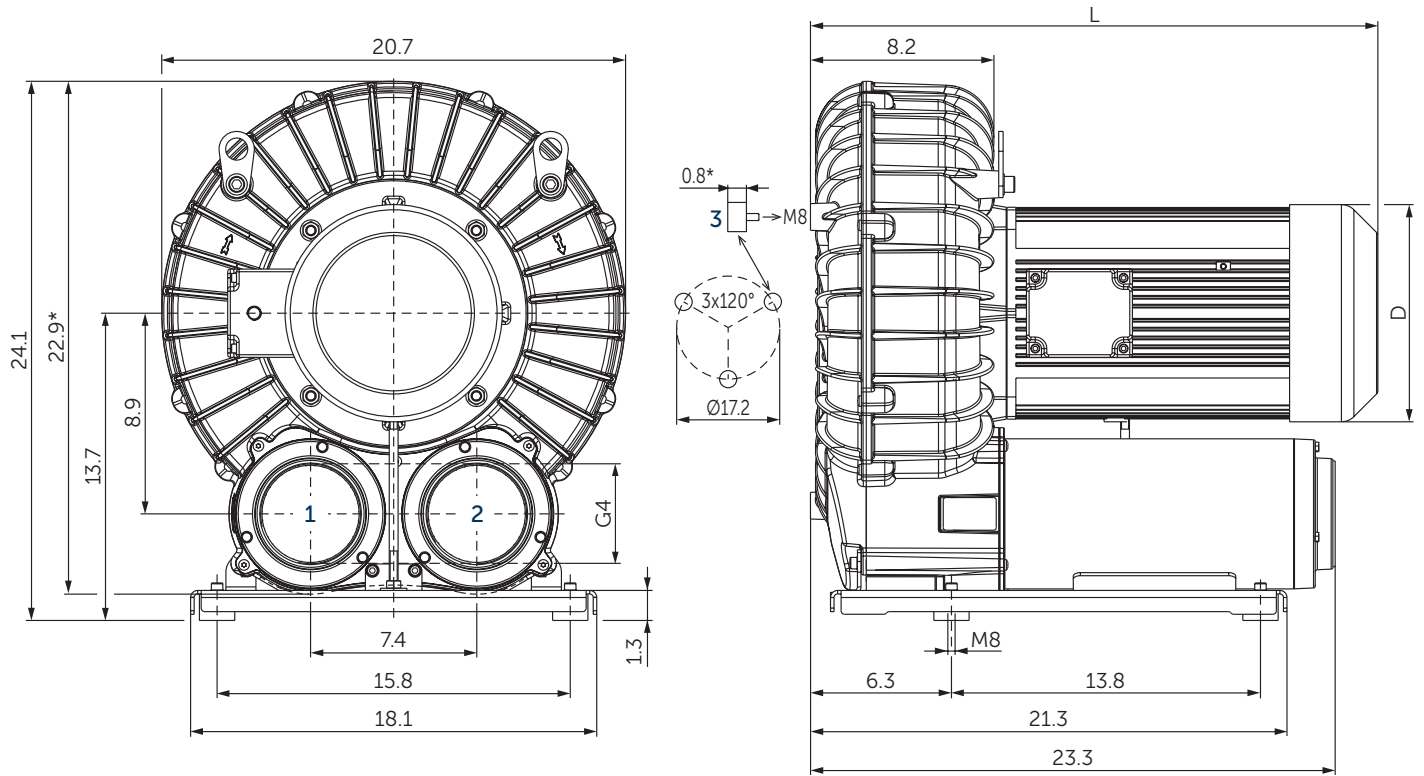
SIDE CHANNEL VACUUM PUMPS

single stage

air-cooled

MAKE IT BECKER.





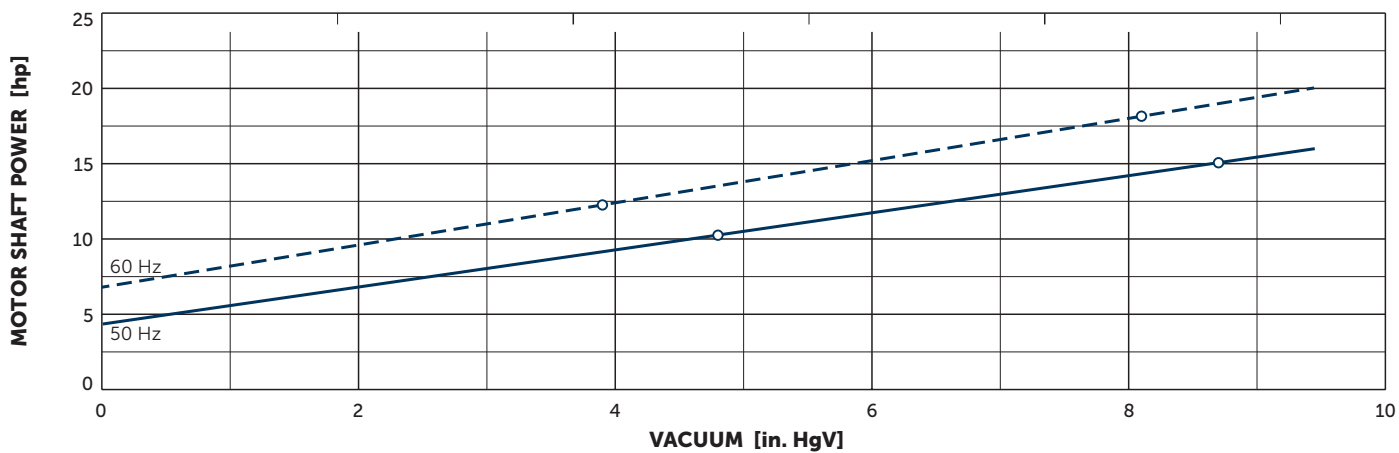
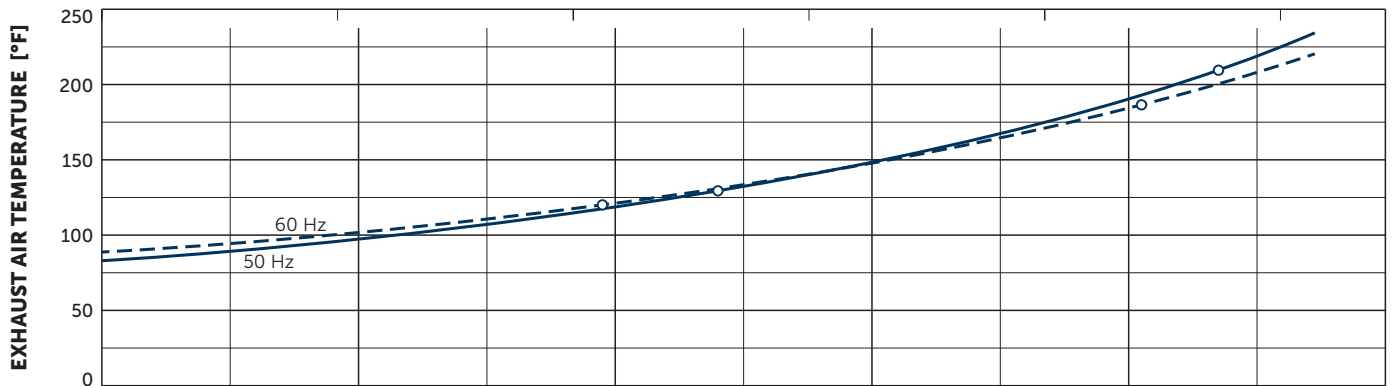
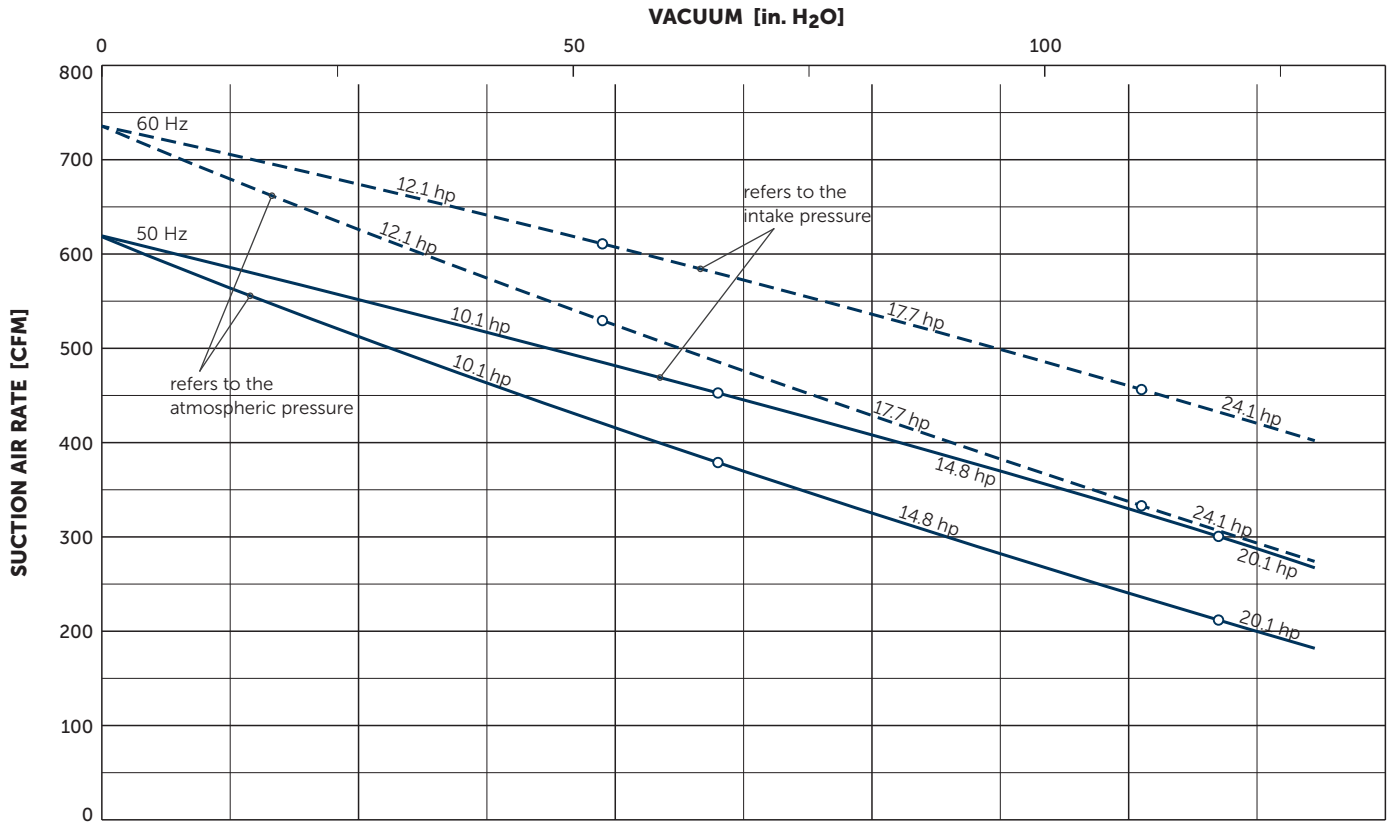
- 1 Vacuum connection (G4)
- 2 Pressure connection (G4)
- 3 Rubber buffer position (optional)
- * Device dimensions without pedestal under the silencer, with rubber buffers on the enclosure cover
- The motor illustration may vary
- Dimensions in inch

Suction air rate		Vacuum				Motors		Emission sound pressure level ¹⁾		Weight with motor	D	L
CFM		in. H ₂ O		in. HgV		hp		dB(A)		lbs	inch	inch
50 Hz	60 Hz	50 Hz	60 Hz	50 Hz	60 Hz	50 Hz	60 Hz	50 Hz	60 Hz			
618	735	64.3	52.3	4.8	3.9	10.1	12.1	73 (44.2 in. H ₂ O)	77 (36.1 in. H ₂ O)	260.2	9.7	24.5
618	735	116.6	108.5	8.7	8.1	14.8	17.7	75 (78.3 in. H ₂ O)	79 (72.3 in. H ₂ O)	275.6	9.7	25.3
618	735	128.6	128.6	9.6	9.6	20.1	24.1	75 (86.4 in. H ₂ O)	79 (86.4 in. H ₂ O)	346.2	12.3	26.8

¹⁾ According to DIN EN ISO 11203, accuracy class of measurement: class 2, extended measurement uncertainty: 3 dB 39.4 inch distance, at medium load, both connection sides piped

3~ Motors											
#	50 Hz					60 Hz					Version
	hp	V		rpm	A	hp	V		rpm	A	
01	10.1	Δ400	IE3	2910	13.5	12.1	Δ460 Δ400	IE3	3500 3450	13.9 16.1	UL • CSA IP55 • ISO F • bimetal
02						12.1	YY230/Y460 YY208	IE3	3505 3475	27.8/13.9 30.7	UL • CSA IP55 • ISO F • bimetal
03	10.1	Δ200/Y350	IE3	2920	27.0/15.6	12.1	Δ220/Y380–400 Δ200/Y350	IE3	3500 3465	29.1/16.8 31.7/18.3	IP55 • ISO F • bimetal
04	14.8	Δ400	IE3	2930	21.8	17.7	Δ460 Δ400	IE3	3525 3490	21.9 23.7	UL • CSA IP55 • ISO F • bimetal
05						17.7	YY230/Y460 YY208	IE3	3530 3505	44.8/22.4 46.5	UL • CSA IP55 • ISO F • bimetal
06	14.8	Δ200/Y350	IE3	2920	41.4/23.9	17.7	Δ220/Y380–400 Δ200/Y350	IE3	3510 3465	43.3/25.0 46.8/27.0	IP55 • ISO F • bimetal
07	20.1	Δ400	IE3	2950	27.7	24.1	Δ460 Δ400	IE3	3545 3520	28.0 31.5	UL • CSA IP55 • ISO F • bimetal
08						24.1	YY230/Y460 YY208	IE3	3545 3525	56.0/28.0 60.5	UL • CSA IP55 • ISO F • bimetal
09	20.1	Δ200/Y350	IE2	2950	58.3/33.7	24.1	Δ200/Y350	IE2	3525	62.5/36.0	IP55 • ISO F • bimetal

• Current consumption and rotation speed may vary. Tolerance in each case -1.5/+2%

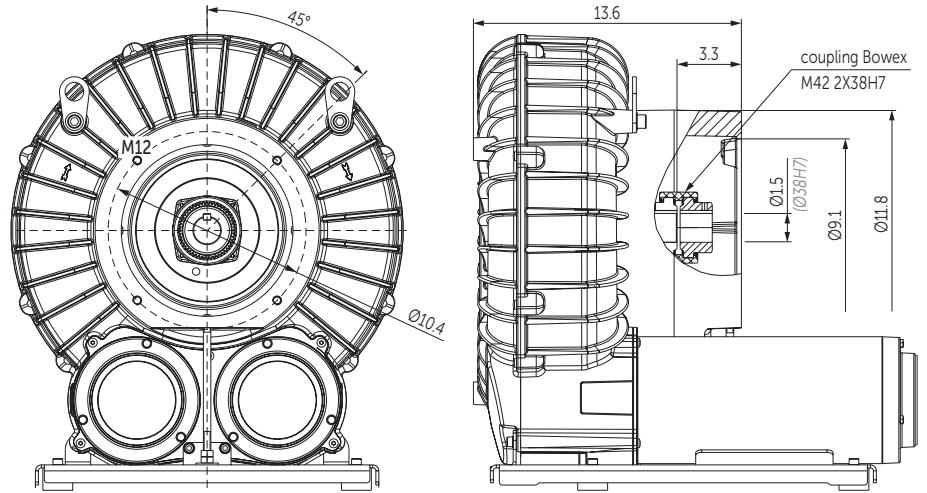


Reference data (atmosphere): 0 in. HgV, 68°F; Tolerance: ±10%
 Temperature: Ambient air 14°F ... 104°F, Inlet air 32°F ... 104°F

+ VARIANTS AND ACCESSORIES

WITHOUT MOTOR

- With coupling for flange motor
- Standard DIN EN 50347
- Flange size FF265
- Shaft end $\varnothing \approx 1.5 \times 3.2$ inch
- Max. size BG160
- The motor must be supported!



OTHER VARIANTS AND ACCESSORIES

- SV 1100/1 for the operation with an external frequency inverter (20–80 Hz)¹⁾
- External suction filter¹⁾
- External vacuum safety valve
- With increased corrosion protection



Example for an external suction filter

¹⁾ See separate data sheet

- Dimensions in inch – For other dimensions, see the figure on page 2.
- Possible combinations on request

MAKE IT BECKER.