

**BETRIEBSANLEITUNG
OPERATING INSTRUCTIONS
INSTRUCCIONES DE SERVICE
ISTRUZIONI D'USO
HANDLEIDING
INSTRUCCIONES PARA EL MANEJO
MANUAL DE INSTRUÇÕES
NAUDOJIMOSI INSTRUKCIJA
KASUTUSJUHEND
LIETOŠANAS INSTRUKCIJA
DRIFTSINSTRUKS
DRIFTSINSTRUKTIONER
DRIFTSVEJLEDNING
INSTRUKCJA OBSŁUGI**

**KEZELÉSI ÚTMUTATÓ
NÁVOD K OBSLUZE
NAVODILO ZA UPORABO
NÁVOD NA OBSLUHU
UPUTE ZA RAD
MANUAL DE OPERATII
TREORACHA OIBRIÚCHÁIN
ΟΔΗΓΙΕΣ ΧΡΗΣΗΣ
EL KITABI
ИНСТРУКЦИИ ЗА ЕКСПЛОАТАЦИЯ
ИНСТРУКЦИЯ ПО ЕКСПЛОАТАЦИИ
取扱説明書
사용설명서
使用说明书**

SV 500

MAKE IT BECKER.



update LTD YOUR UNLIMITED PARTS SOURCE
FOR PRINT FINISHING AND PACKAGING

1.800.229.0009 | www.updateitd.com | sales@updateitd.com



AIR

	<p>BECKER No. year</p> <p>CE frequency speed power required inlet capacity pressure vacuum</p> <p>m³/h mbar</p>
<p>DIN EN ISO 11203 Accuracy Class 2 K_{PA} = 3 dB(A) l←1m</p>	<p>SV 500/1 (Pressure) ▶ 50/60 Hz, +310/+300 mbar L_{PA} = 75.4/77.4 dB(A)</p> <p>SV 500/1 (Vacuum) ▶ 50/60 Hz, -230/-245 mbar L_{PA} = 75.5/76.7 dB(A)</p> <p>SV 500/2 (Pressure) ▶ 50/60 Hz, +330/+350 mbar L_{PA} = 69.8/72.2 dB(A)</p> <p>SV 500/2 (Vacuum) ▶ 50/60 Hz, -265/-230 mbar L_{PA} = 68.9/71.7 dB(A)</p>

static inst. ①-③		dynamic installation Gebr. BECKER
<p> The pump must be securely mounted at the place of installation. Physical tension on the blower housing must be avoided.</p>		
		75,5 kg 166.5 lbs

	40°C/104°F -10°C/14°F		optional en option optionale opcional Filter
INLET AIR	40°C/104°F 0°C/32°F	A > 100mm A > 4"	B > 295mm B > 11½"
	max. 800m		
	max. 90%		

	VACUUM		PRESSURE
			AIR >100°C >212°F
		optional en option optionale opcional	

Frequency > 60Hz
Please consult **BECKER**

BECKER Made in: XXXXXXXX 50 Hz 230-240 V ~ 50 Hz 1000-1100 W 1000-1100 rpm 1000-1100 min ⁻¹	BECKER Made in: XXXXXXXX 60 Hz 230-240 V ~ 60 Hz 1000-1100 W 1000-1100 rpm 1000-1100 min ⁻¹
---	---

7

GENERAL

¹⁾ motor protection switch ✔

✘

ADDITIONAL ≥ 5.5 kW

RECOMMENDATION

A
Softstart

B

ON (I) - 1 2 MAX 10/h

OFF (0) -

8

9

10

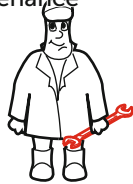


PRESSURE

G 3


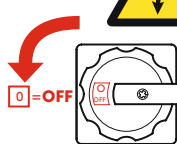




VACUUM

11


Maintenance



12

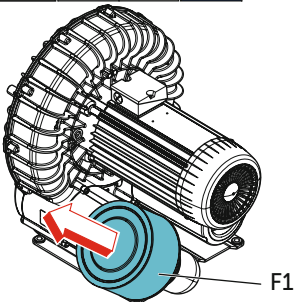







n=0min⁻¹

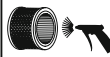



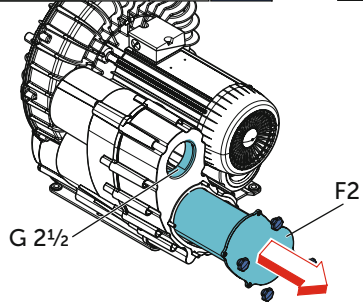
13

	SUCTION AIR		40h ↕ 200h	PRESSURE optional en option optionale opcional
--	-------------	---	------------------	--

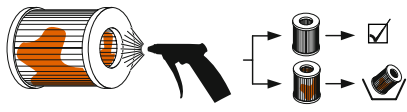


14

	SUCTION AIR		40h ↕ 200h	VACUUM PRESSURE optional en option optionale opcional
---	-------------	---	------------------	--




15





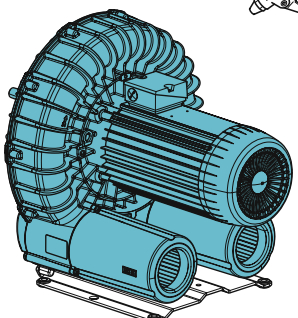
F1: PRESSURE
 No.: 90959100000

F2: VACUUM + PRESSURE
 No.: 90951030000

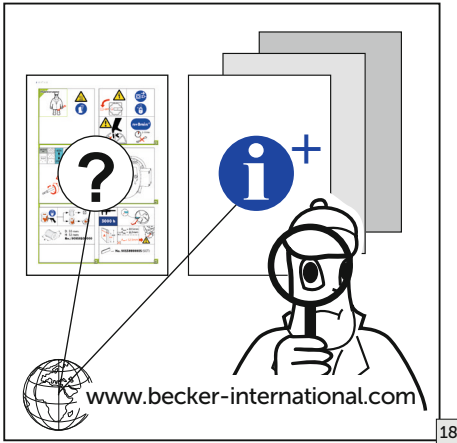


EN149 - FFP3
 42 CFR 84 - N100

16

17



Gebr. Becker GmbH
Hoelker Feld 29-31
42279 WUPPERTAL
GERMANY
info@becker-international.com
www.becker-international.com



The logo consists of a circular emblem on the left containing three stylized human figures with their arms raised, and the word 'BECKER' in a bold, blue, sans-serif font to its right.



281000605001 2020-07-23 | All rights reserved

MAKE IT BECKER.

update^{LTD} YOUR UNLIMITED PARTS SOURCE
FOR PRINT FINISHING AND PACKAGING

1.800.229.0009 | www.updateitld.com | sales@updateitld.com

 **BECKER**
www.becker-international.com